

WAFFLE DISC ACOUSTIC (LX-WDA)

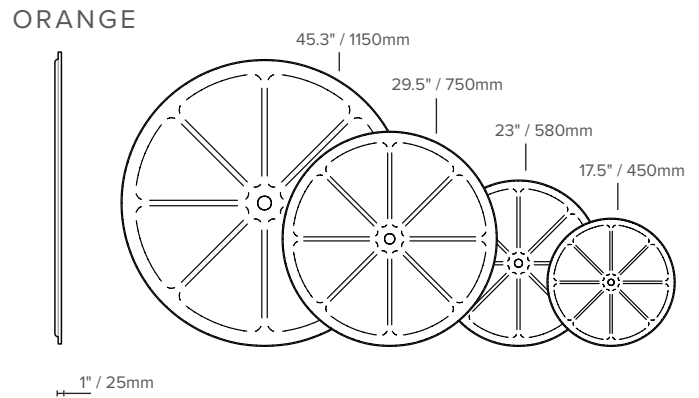
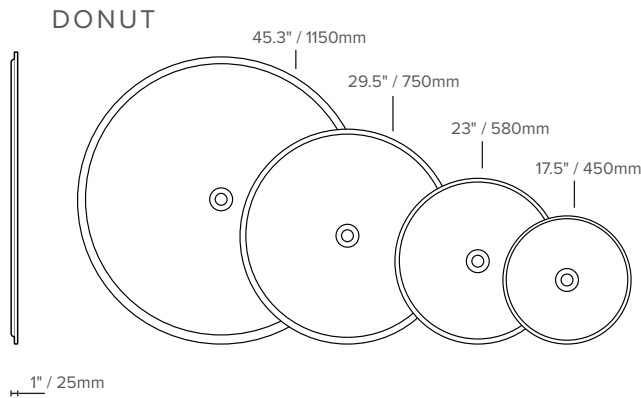
TYPE:

Waffle Discs are a logical way to put sound on the agenda in any open space. Available in various sizes, over 40 colours and two playful designs, the hard-working acoustic panels create a unique shape and colour blend to suit any environment. Mix and match all of these options for a visual punch.

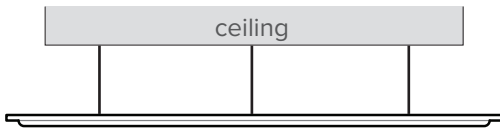
KEY BENEFITS

- Highly effective sound absorption
- Available in 2 patterns, 4 sizes and a wide range of colors
- Acoustic panels are 100% recyclable and manufactured from 65% recycled material
- Classic pure wool upholstery fabric
- Class A fire rating
- Non-metallic dyestuffs
- Available as wall mounted or suspended
- Can be suspended horizontal or vertical

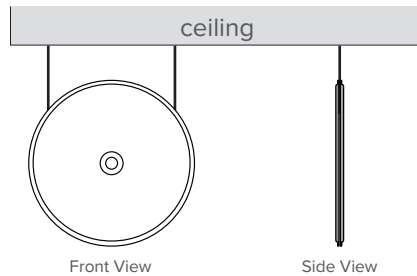
SIZE AND PATTERN



SUSPENDED -HORIZONTAL

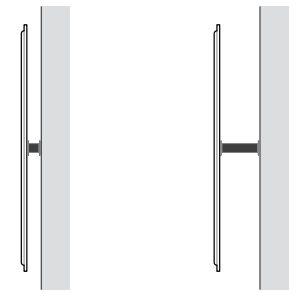


SUSPENDED -VERTICAL



Vertically suspended discs are padded on both sides. Their overall thickness is 2"/50mm

WALL-MOUNTED



Wall-mounted 1 (1"/25mm from the wall) Wall-mounted 2 (3"/75mm from the wall)

ORDER CODE

EXAMPLE: LX - WDA - L - 33 - O - W

(Luxxbox Waffle Disc, large (dia 29.5 / 750mm), color 33, orange pattern, wall-mounted 2 (3"/75mm from the wall))

PRODUCT CODE	SIZE	COLOR	PATTERN	CONFIGURATION
WDA	S dia 17.5"/450mm	Use color codes as shown	O Orange	S1 Suspended Horizontal
	M dia 23"/580mm			S2 Suspended Vertical
	L dia 29.5"/750mm		D Donut	W1 Wall-mounted 1 (1"/25mm from wall)
	XL dia 45.3"/1150mm			W2 Wall-mounted 2 (3"/75mm from wall)

Luxxbox reserves the right to change the specification, material and colours at any time without notice. Standard warranty terms and conditions apply. All rights reserved © All dimensions and values on specification sheet are nominal. February 2024 . LX-Waffle-Disc-Acoustic-Install-2020.V2





WAFFLE DISC ACOUSTIC (LX-WDA)

TYPE:

AVAILABLE COLORS

Colors are subject to lead times and variations across batches

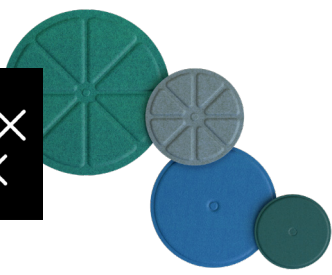
4M	2T	4T	4C	3V	21	3W	3Q
4N	18	13	39	63	90	WP	3T
4Q	3N	4L	3L	4U	3S	82	4R
3M	58	2W	47	86	4X	4A	4D
2Q	1E	28	4W	1J	31	30	35
1R	1V	1W	1P	1Y	12	67	08
02	4H	3Z	2U	2Z	3X	3B	4B
4S	4K	33	4J	4P	09	26	62
1F	1K	1L	53	3U	1N	3Y	3R
3A	4V	4F	4E	4G			

Luxxbox reserves the right to change the specification, material and colours at any time without notice. Standard warranty terms and conditions apply. All rights reserved © All dimensions and values on specification sheet are nominal. February 2024 . LX-Waffle-Disc-Acoustic-Install-2020.V2



LUXXBOX USA INC × (P)+1 (415) 871 0448 × USA@LUXXBOX.COM
LUXXBOX PTY LTD × (P)+61 7 3257 2822 × INFO@LUXXBOX.COM
WWW.LUXXBOX.COM





WAFFLE DISC ACOUSTIC (LX-WDA)

TYPE:

MATERIAL SPECIFICATIONS

COLOR FASTNESS TO LIGHT:	ISO 105-B02-1994 Rating: 6-7
FIRE TEST:	AS1530 Part 3 AS3837 ISO5660 BS EN 1021-1&2 Cigarette and Match BS 7176 Low Hazard UNI 9175 Classe 1
ENVIRONMENTAL:	PET achieves GreenTag Certification GreenRate: Level A EU Ecolabel Certificate
THERMAL TRANSITION:	ASTM C518-2010. R- Value = 0.30 m ² K/W
SOUND ABSORPTION:	AS ISO 354 – 2006 Noise reduction coefficient (NRC) = 0.45+
VOC EMISSIONS:	ASTM D5116 Rate: < 0.02 mg/m ² /hr (7 days)

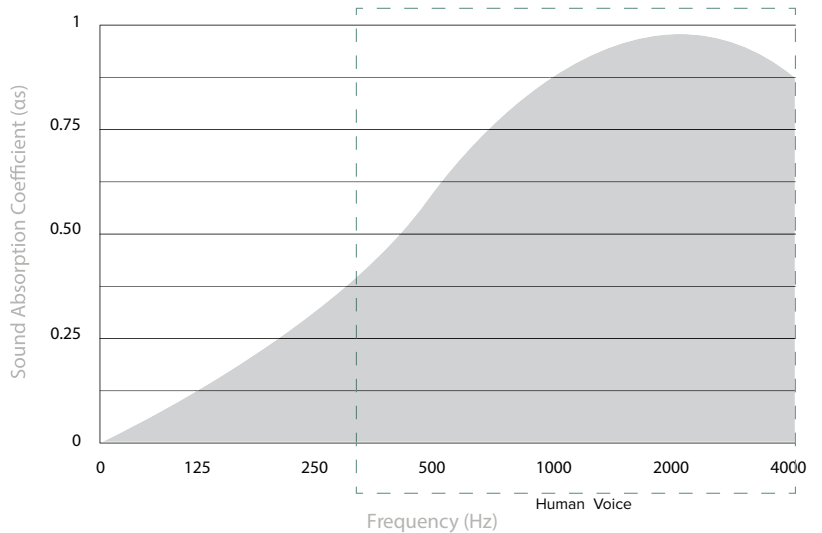
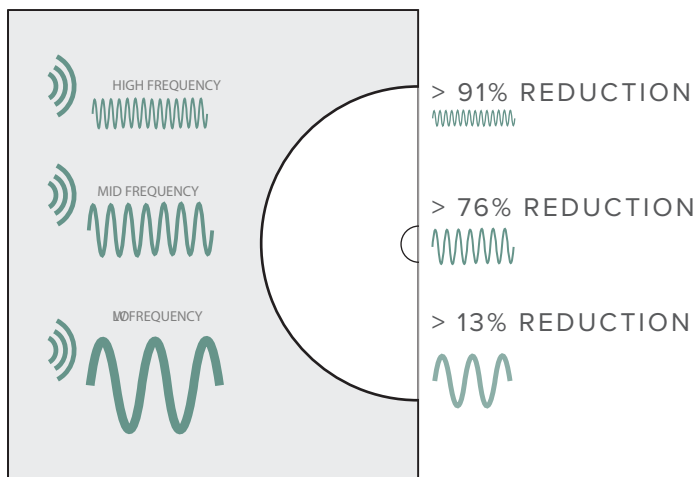
PET ACOUSTIC PROPERTIES

Products are given a Noise Reduction Coefficient (NRC) from 0 to 1 based on their ability to absorb sound, where 1.0 equals 100% sound absorption. The NRC is used to calculate Sabin value of any surface material. The Sabin value equals the NRC multiplied by the total surface area in squared feet or squared metres.

(S) 17.5" / 450mm	(M) 23" / 580mm	(L) 29.5" / 750mm	(XL) 45.3" / 1150mm
> 0.77 Sabins (Imperial)	> 1.28 Sabins (Imperial)	> 2.14 Sabins (Imperial)	> 5 Sabins (Imperial)
> 0.07 Sabins (Metric)	> 0.12 Sabins (Metric)	> 0.2 Sabins (Metric)	> 0.5 Sabins (Metric)

ACOUSTIC PROPERTIES

Visualization of decibel decay across the Disc range. Effects of a 0.7+ NRC across a range of frequencies.

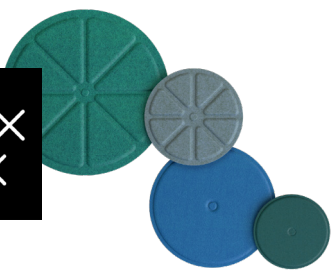


Luxxbox reserves the right to change the specification, material and colours at any time without notice. Standard warranty terms and conditions apply. All rights reserved © All dimensions and values on specification sheet are nominal. February 2024 . LX-Waffle-Disc-Acoustic-Install-2020.V2



LUXXBOX USA INC × (P)+1 (415) 871 0448 × USA@LUXXBOX.COM
LUXXBOX PTY LTD × (P)+61 7 3257 2822 × INFO@LUXXBOX.COM
WWW.LUXXBOX.COM



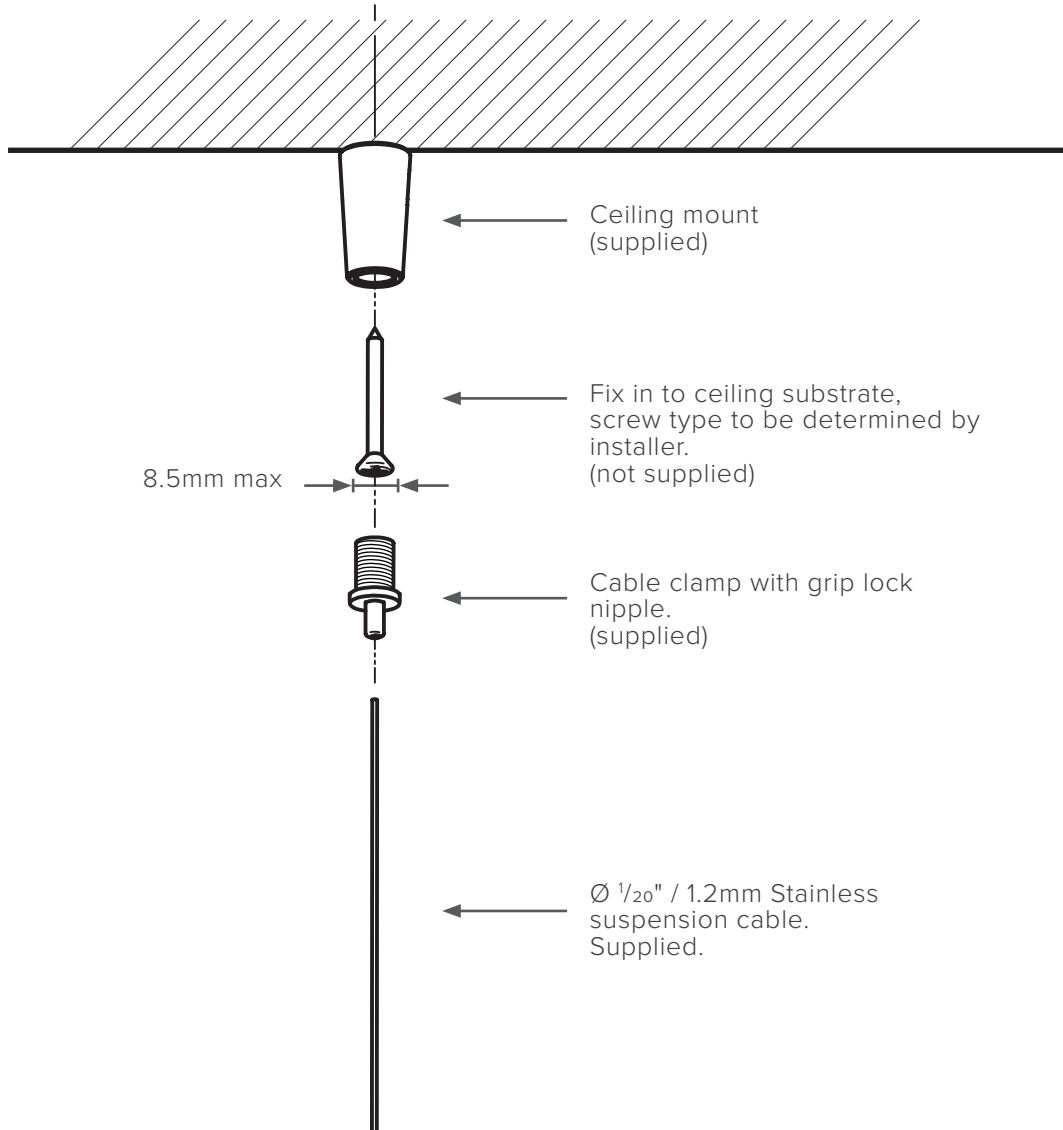


WAFFLE DISC ACOUSTIC (LX-WDA)

TYPE:

INSTALLATION INSTRUCTIONS (SUSPENDED)

(All suspended Discs supplied with 9' / 3m of height adjustable suspension cables)

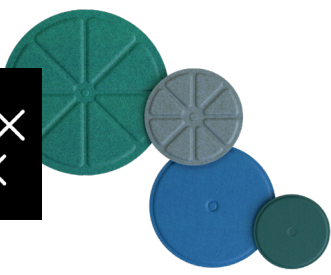


Luxxbox reserves the right to change the specification, material and colours at any time without notice. Standard warranty terms and conditions apply. All rights reserved © All dimensions and values on specification sheet are nominal. February 2024 . LX-Waffle-Disc-Acoustic-Install-2020.V2



LUXXBOX USA INC × (P)+1 (415) 871 0448 × USA@LUXXBOX.COM
LUXXBOX PTY LTD × (P)+61 7 3257 2822 × INFO@LUXXBOX.COM
WWW.LUXXBOX.COM





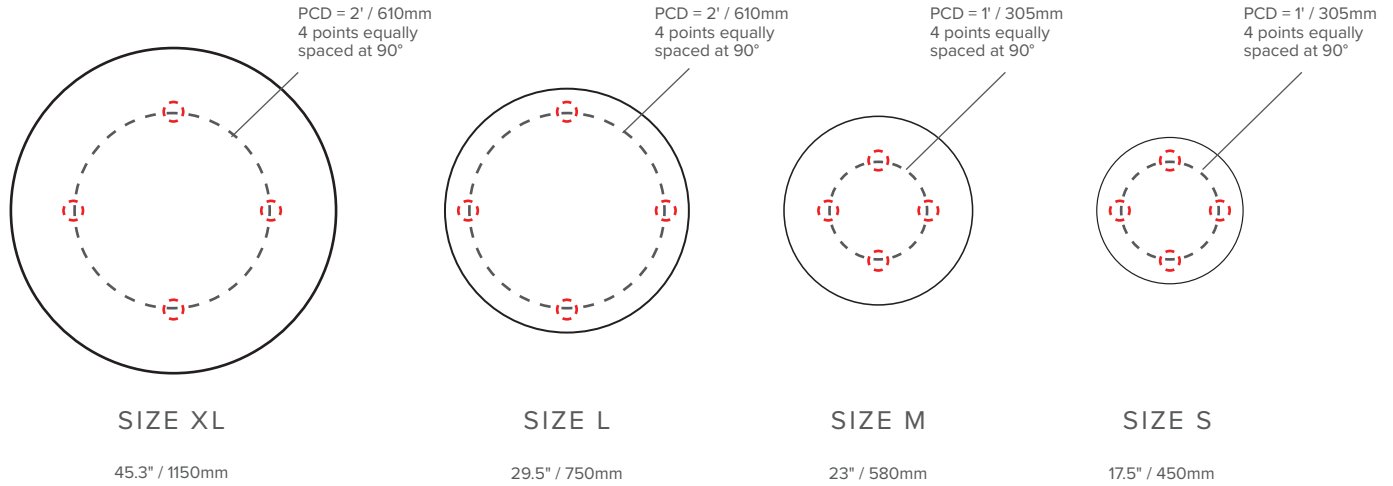
WAFFLE DISC ACOUSTIC (LX-WDA)

TYPE:

CANOPY LOCATIONS

(All suspended Discs supplied with 9' / 3m of height adjustable suspension cables)

CEILING SUSPENDED

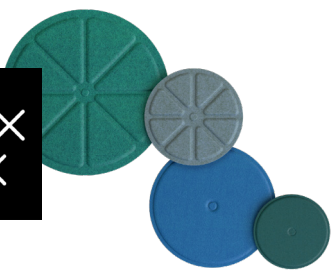


Luxbox reserves the right to change the specification, material and colours at any time without notice. Standard warranty terms and conditions apply. All rights reserved © All dimensions and values on specification sheet are nominal. February 2024 . LX-Waffle-Disc-Acoustic-Install-2020.V2



LUXBOX USA INC × (P)+1 (415) 871 0448 × USA@LUXBOX.COM
 LUXBOX PTY LTD × (P)+61 7 3257 2822 × INFO@LUXBOX.COM
 WWW.LUXBOX.COM





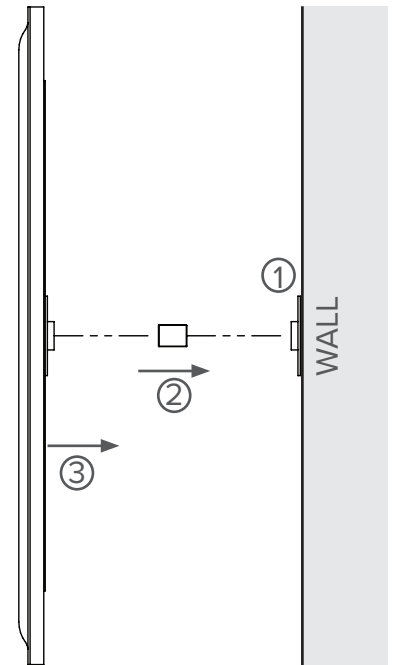
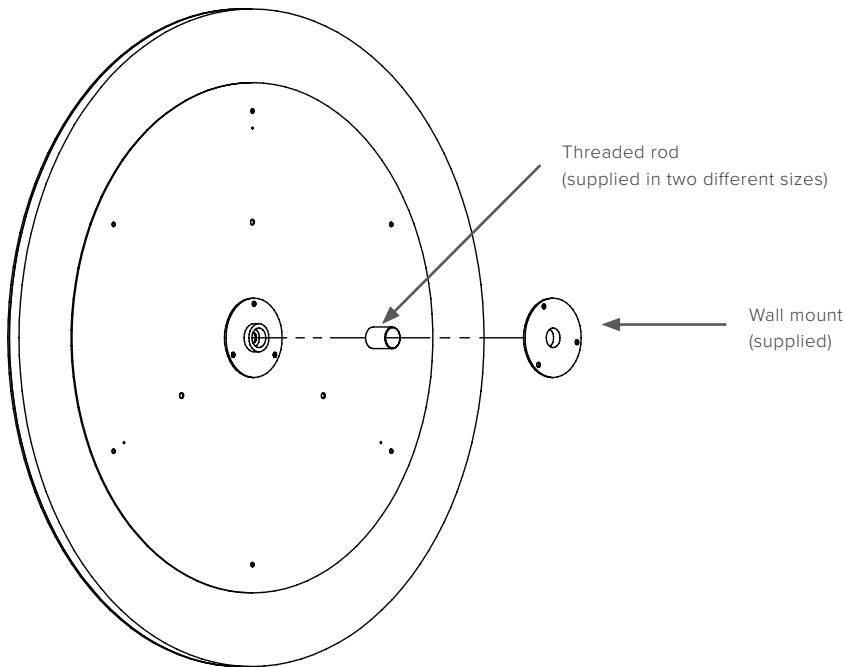
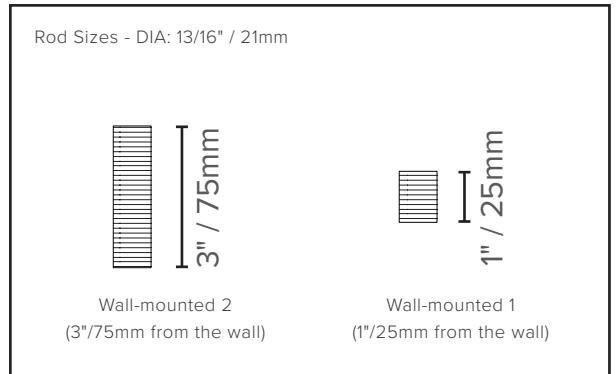
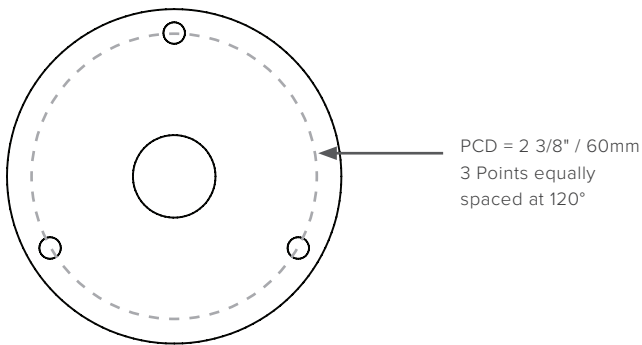
WAFFLE DISC ACOUSTIC (LX-WDA)

TYPE:

INSTALLATION INSTRUCTIONS (WALL-MOUNTED)

INSTRUCTIONS

1. Fix mount plate to wall substrate using the dimensions below, screw type to be determined by installer (not supplied).
2. Insert selected threaded rod on wall's mount plate.
3. Fix disc to threaded rod using the disc's mount plate



Luxxbox reserves the right to change the specification, material and colours at any time without notice. Standard warranty terms and conditions apply. All rights reserved © All dimensions and values on specification sheet are nominal. February 2024 . LX-Waffle-Disc-Acoustic-Install-2020.V2



LUXXBOX USA INC × (P)+1 (415) 871 0448 × USA@LUXXBOX.COM
LUXXBOX PTY LTD × (P)+61 7 3257 2822 × INFO@LUXXBOX.COM
WWW.LUXXBOX.COM

